

## S2 - Protection Box



Instruction manual

UK

## Introduction

In a world where technology is invading our most private spaces, we cannot ignore the risk posed by smartphones microphones and cameras that stay switched on even when we are not using the telephone and listen continuously to all our talk, even when we think that the mobile phone is turned off.

To respond to the need to guarantee absolute privacy of confidential conversations, S2 **Total Privacy Mode** was born.

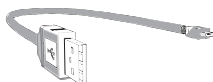
S2 Protection box is a device that guarantees the security of information shared during meetings of maximum confidentiality, discreetly and intelligently, respecting health and without emissions of any harmful frequency. Thanks to a special technology patented and studied by a team of experts in the field of investigation and security, S2 offers the exclusive **Total Privacy Mode** which inhibits any attempt of audio or video espionage by your mobile phone, without interfering in any way on phone functionality.

S2 aid to elegantly and effectively preserve information, avoiding being listened to and spied on, because defending one's privacy, assets, businesses and projects in an inviolable constitutional right.

## Package Contents



**S2 device**

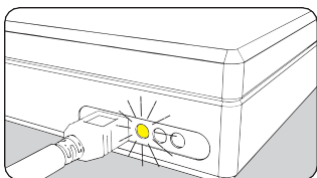


**USB supply plug**



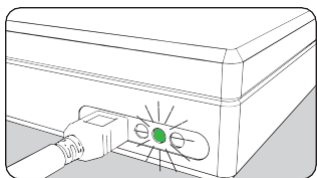
**Instruction manual**

## Battery charging



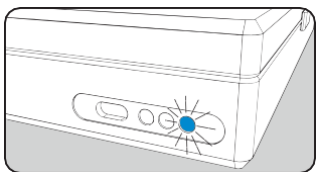
Open the package and connect the box with the USB cable supplied to a phone charger or a computer.

Wait for the yellow light to turn on and leave the device charging for at least 2 hours before using it for the first time.



When fully charged, the green light will turn on. Disconnect the cable and the device is ready for use. A full battery

charge lasts for approximately 96 hours of continuous use. Depending on the usage, a full charge can last up to 20 days.



When the battery is almost empty, the blue light starts flashing.

To recharge the device in an optimal way, we recommend to do it when it is turned off.

## Instructions for use

Place the mobile phone in the box on the removable black rubber support → (fig. 1).

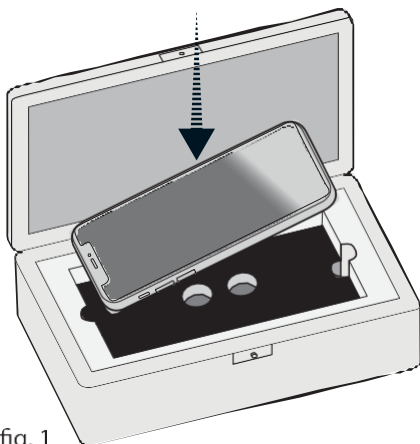
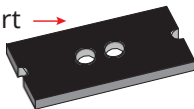


fig. 1

Due to the soundproofing of the box, we recommend increasing the volume of the ringtone on your mobile phone when storing it inside the Saitel.

To switch on the device, close the lid with a light pressure. When the blue light comes on, **S2 Total Privacy Model** is active. A slight sound emitted by the device indicates the correct functioning of the appliance.

If you need to protect two mobile phones during a confidential conversation, first remove the black rubber support as in Fig. 2a and store it away.

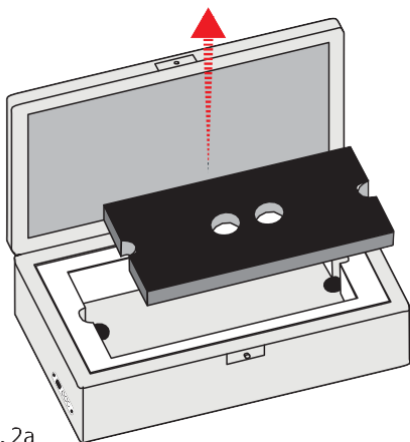


fig. 2a

Then place the first mobile phone on the rubber base with the screen facing down (Fig. 2b).

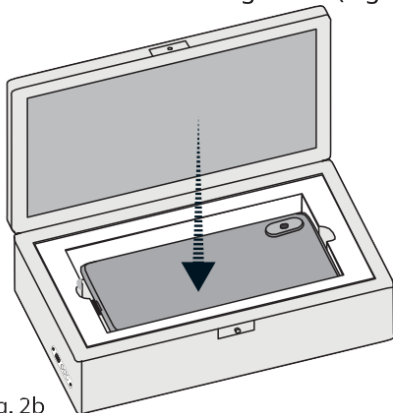


fig. 2b

Then place the second mobile phone on top of the first, with the screen facing up (fig. 2c).

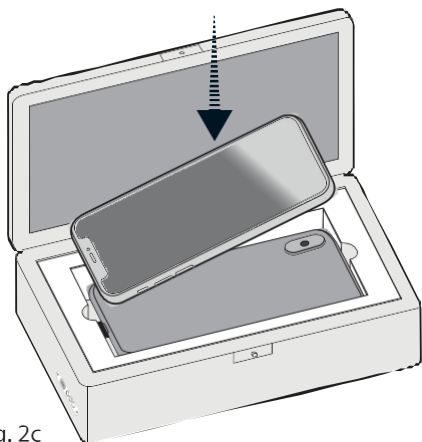


fig. 2c

To activate the system (blue LED light on), close the lid applying light pressure.

In order to reuse the device with a single mobile phone, remember to reposition the black rubber support that you removed, placing it in the base of the box where it was before.

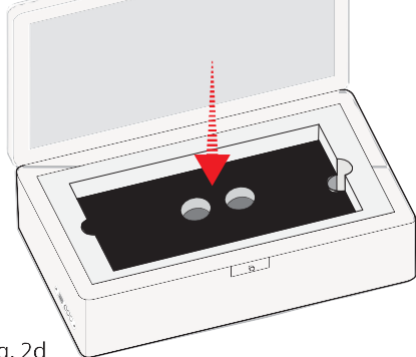


fig. 2d

## Using the device

The smartphone must be stored in the S2 whenever you want to protect your confidential conversations. Once your mobile phone is inside the device, Total Privacy Mode is always in operation. When the phone is removed from the case, the device automatically turns off.

S2 does not emit radio frequencies and does not interfere with the normal functionality of the mobile phone.

When the phone is placed inside the S2, the connection to the network of your telephone operator and the reception of all calls, emails, messages via Apps or Social-Networks remain active. The device can also be used on the move.

S2 Protection Box technology is favored by the soundproofing structure of the case which allows the hermetic closure of the box and therefore greater shielding from external sounds.

To open the casket, press lightly on the cover while pressing on the clip until the clasp is released.

Make sure that liquids do not come into contact with the inside of the device. If this happens, dry immediately with a cloth without excessively pressing.

## Troubleshooting

The device does not turn on	Low battery: connect the device to the power supply; if the device does not work even if the battery is charged, contact the Customer Service
The yellow and green lights are on	The battery needs to be replaced. Contact the Customer Service

For any type of support and assistance contact us by writing an email to:  
[info@selcomsecurity.com](mailto:info@selcomsecurity.com)

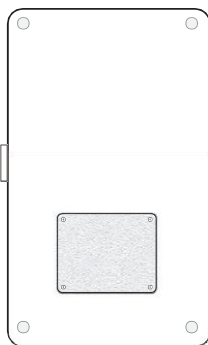
## Specifications

- Dimensions: (W x D x H): 222 x 127 x 55 mm
- Weight: 530 g (17,2 oz.)
- Working temperature range: da 0°C...+40° C (32°F... 104°F)
- Type: rechargeable lithium-ion battery with protection circuit: 3.7 Vdc - 900 mAh.

In the event of a malfunction or depletion of the battery, contact qualified personnel for its replacement only.

The battery compartment is located on the back of the device.

To access it, unscrew the 4 micro-screws and lift the stainless steel cover.



## Safety warnings

Follow these safeguards and use the equipment properly to prevent injury, death and material damage.

- Do not use any home-made or modified batteries.
- Do not short-circuit, disassemble or modify the battery pack.
- Do not recharge the battery pack outside the allowable ambient temperature range of 0°C...+40°C (32°F - 104°F). Also, do not exceed the recharging time.

## **Warranty**

In addition to checking the materials and processes, the device is tested 100% before the the delivery.

Therefore we guarantee the perfect functionality and the absence of manufacturing defects on Product at the time of delivery.

The Warranty is provided for a period of one (1) year. Warranty does not cover any damage resulting from failure to comply with the instructions relating to the use.